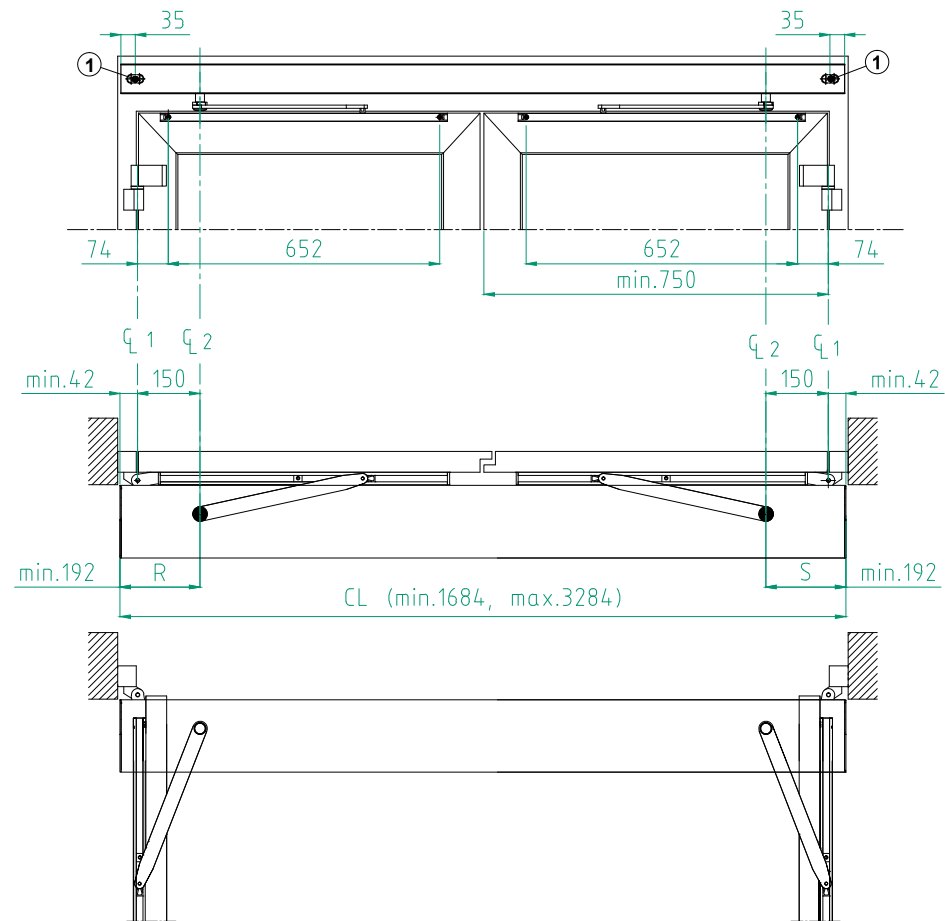
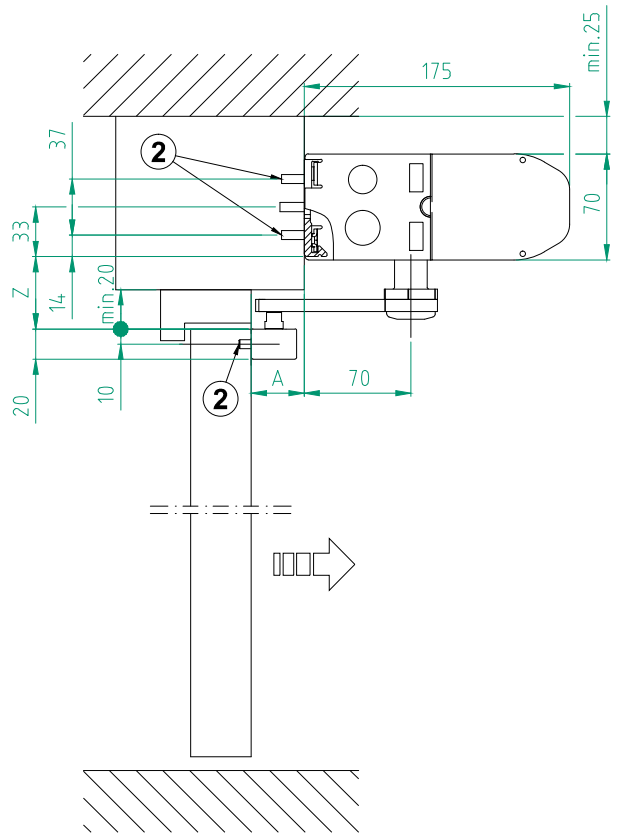


© All rights in and to this material are the sole property of Entrematic AB. Copying, scanning, alterations or modifications are expressly forbidden without the prior written consent of Entrematic AB. Rights reserved for changes without prior notice.



STATE WHEN ORDERING

- Surface treatment**
 Silver anodized
 Special anodized
 RAL
 Special powder coating

- Cover end plates**
 BK
 SI

- Basic
 Fire door
 Connection box
 Connection plug

- Options see layers:**
 Cover Modular, CL = mm
 Cover Full length, CL = mm
 R = mm
 S = mm

If R and S are set to "0", no cutouts will be made.

- ⌀ 1 = Hinges
 ⌀ 2 = Operator drive shaft
 A = Reveal -20mm to 130mm
 1 = Cable inlet
 2 = Reinforcements required

Z	Shaft extension
48	0
68	20
98	50
118	70

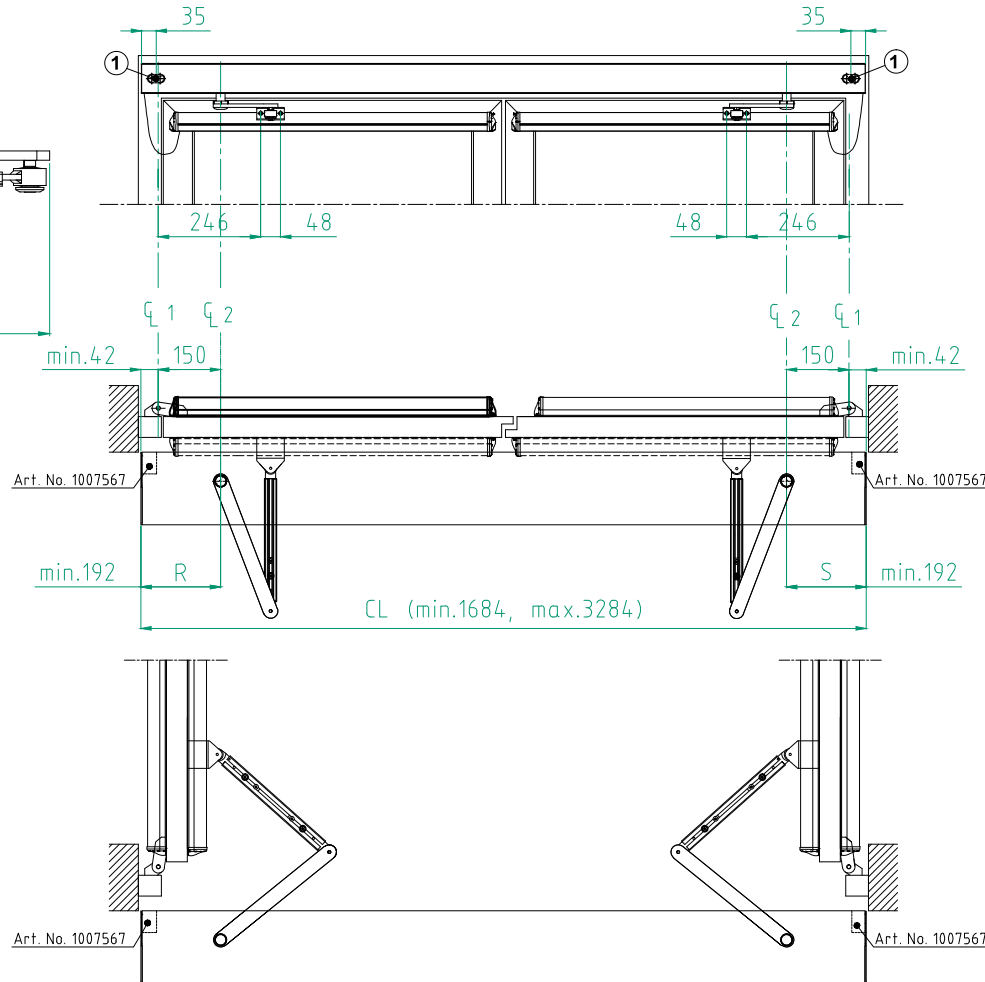
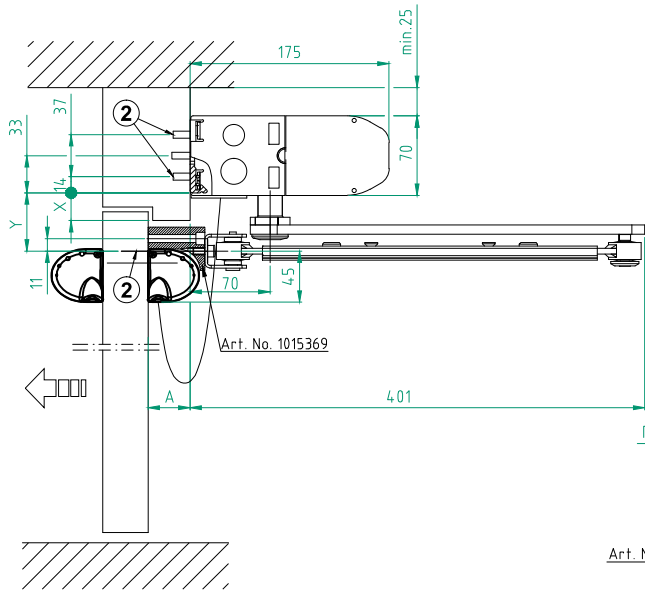
Customer: _____
 Door id: _____
 Project No: _____

Ref: _____
 Date: _____
 Sign: _____

Swing door operator
EM PSW250-2
PULL

ENTRE/MATIC

7.0 1009172-EMEI



Extension	A
0	0-22
345	22-137
230+joint part	137-252
345+230+joint part	252-367

STATE WHEN ORDERING

Surface treatment

- Silver anodized
- Special anodized
- RAL
- Special powder coating
-

Cover end plates

- BK
- SI

- Basic
- Fire door
- Connection box
- Connection plug

Options see layers:

- Cover Modular, CL = mm
- Cover Full length, CL = mm
- R = mm
- S = mm

If R and S are set to "0", no cutouts will be made.

- ⌀ 1 = Hinges
- ⌀ 2 = Operator drive shaft

- 1 = Cable inlet
- 2 = Reinforcements required

X	Y	Shaft extension
2-25	51	0
25-45	71	20
45-75	101	50
75-95	121	70

Customer: _____

Door id: _____

Project No: _____

Ref: _____

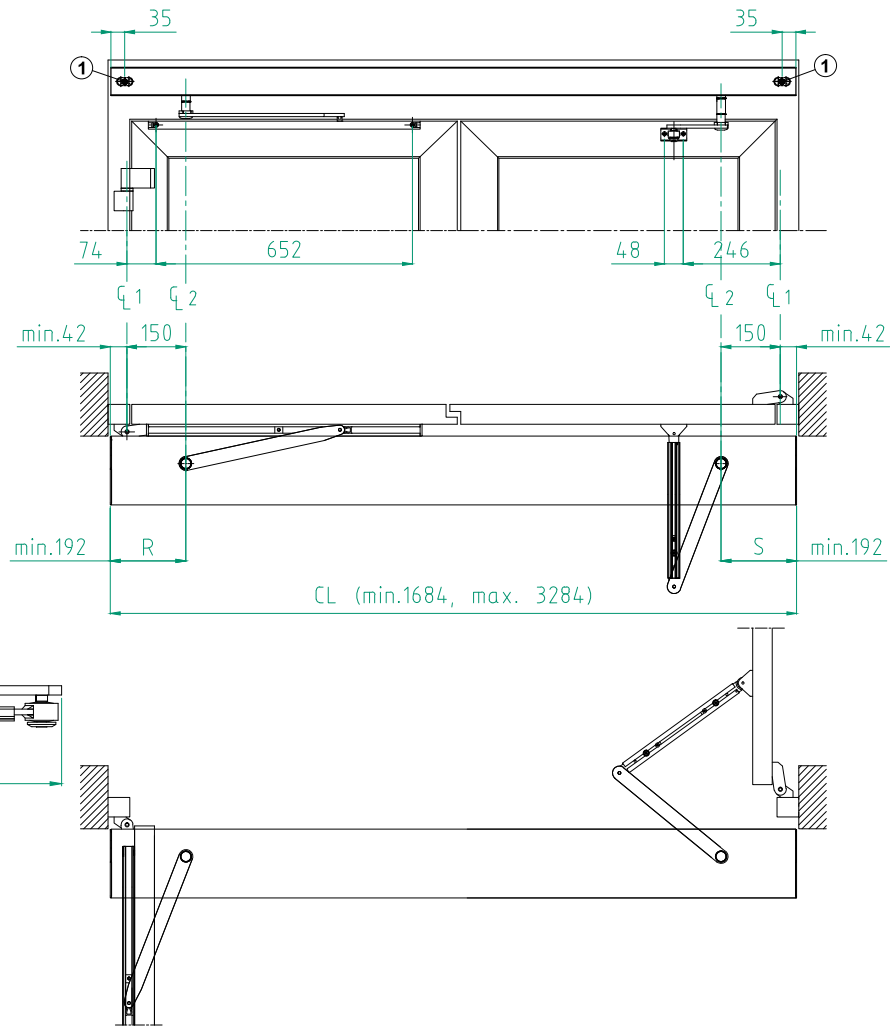
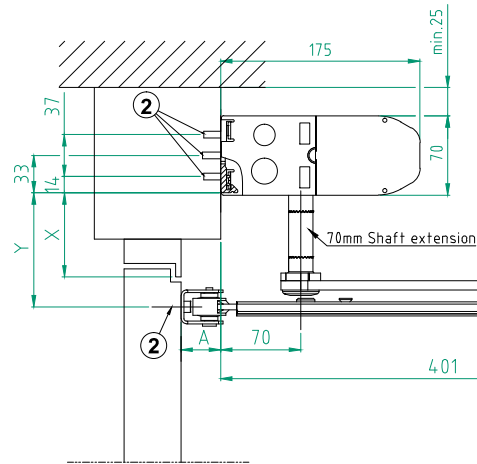
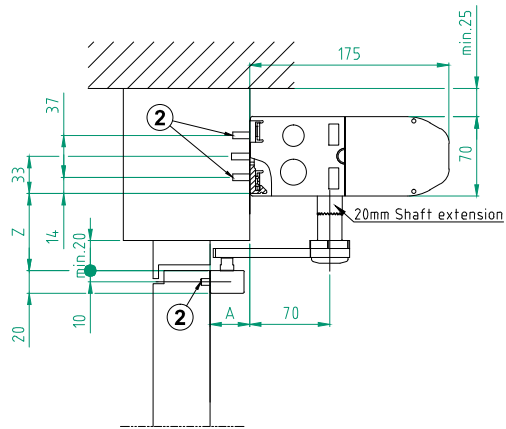
Date: _____

Sign: _____

Swing door operator
EM PSW250-2
PUSH

ENTREMATIC

7.0 1009172-EMEI



STATE WHEN ORDERING

Surface treatment

- Silver anodized
- Special anodized
- RAL
- Special powder coating
-

Cover end plates

- BK
- SI

- Basic
- Fire door
- Connection box
- Connection plug

Options see layers:

- Cover Modular, CL = mm
- Cover Full length, CL = mm
- R = mm
- S = mm

If R and S are set to "0", no cutouts will be made.

- ∅ 1 = Hinges
- ∅ 2 = Operator drive shaft
- A = Reveal 0mm to 22mm, optional 130mm
- 1 = Cable inlet
- 2 = Reinforcements required

Z	Pull Shaft extension
48	0
68	20

X	Y	Push Shaft extension
45-75	101	50
75-95	121	70

Customer: _____

Door id: _____

Project No: _____

Ref: _____

Date: _____

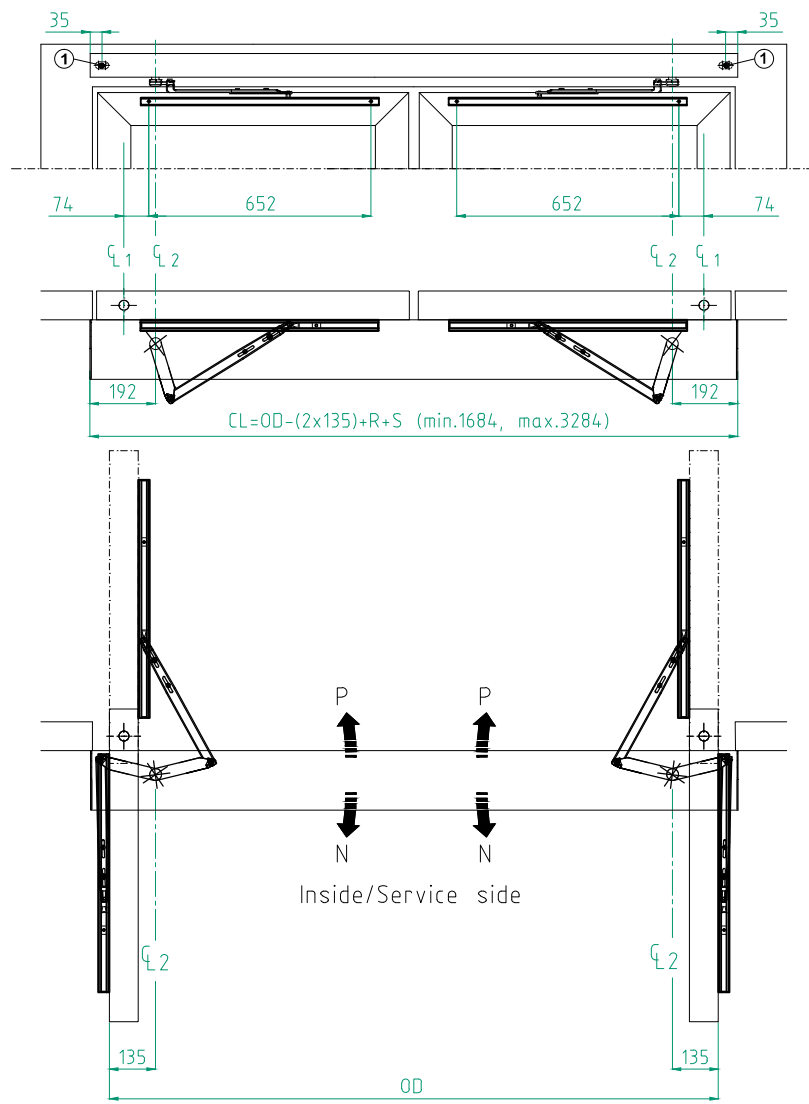
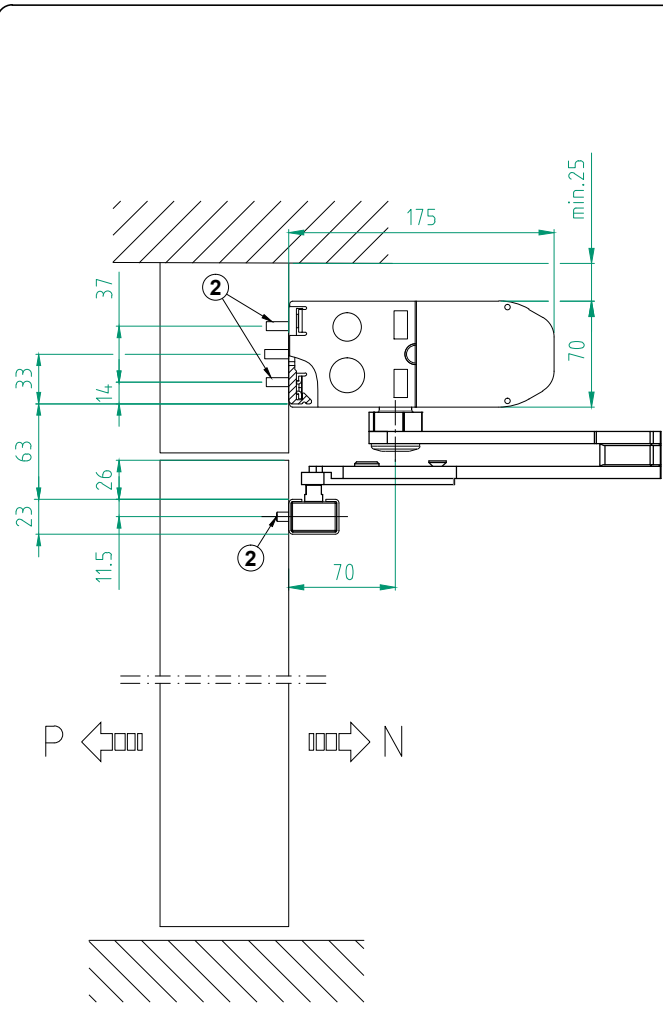
Sign: _____

Swing door operator
EM PSW250-2
PULL+PUSH

ENTRE/MATIC

7.0 **1009172-EMEI**

© All rights in and to this material are the sole property of Entrematic AB. Copying, scanning, alterations or modifications are expressly forbidden without the prior written consent of Entrematic AB. Rights reserved for changes without prior notice.



STATE WHEN ORDERING

- Surface treatment**
- Silver anodized
 - Special anodized
 - RAL
 - Special powder coating

- Cover end plates**
- BK
 - SI

 - Basic
 - Fire door
 - Connection box
 - Connection plug

- Arm y systems**
- PULL
 - Sliding PUSH

CL = mm
 R = mm
 S = mm
 If R and S are set to "0", no cutouts will be made.

- C1 Pivot point
- C2 Operator drive shaft
- 1 Cable inlet
- 2 Reinforcements required
- OD Outside doors
- N Normal opening direction
- P Escape opening direction

Customer: _____

Door id: _____

Project No: _____

Ref: _____

Date: _____

Sign: _____

Swing door operator
EM PSW250-2
Double acting

ENTRE/MATIC
 7.0 1009172-EME1