

STATE WHEN ORDERING

Surface treatment

- Silver anodized
- Special anodized
- RAL
- Special powder coating
-

Cover end plates

- BK
- SI

- Basic
- Fire door
- Connection box
- Connection plug

Options see layers

- Cover Standard
- Cover Modular, CL = mm

- ⌀ 1 = Hinges
- ⌀ 2 = Operator drive shaft
- A = Reveal -20mm to 130mm
- 1 = Cable inlet
- 2 = Reinforcements required in door leaf and at fixing holes

Z	Shaft extension
48	0
68	20
98	50
118	70

Customer: _____

Door id: _____

Project No: _____

Ref: _____

Date: _____

Sign: _____

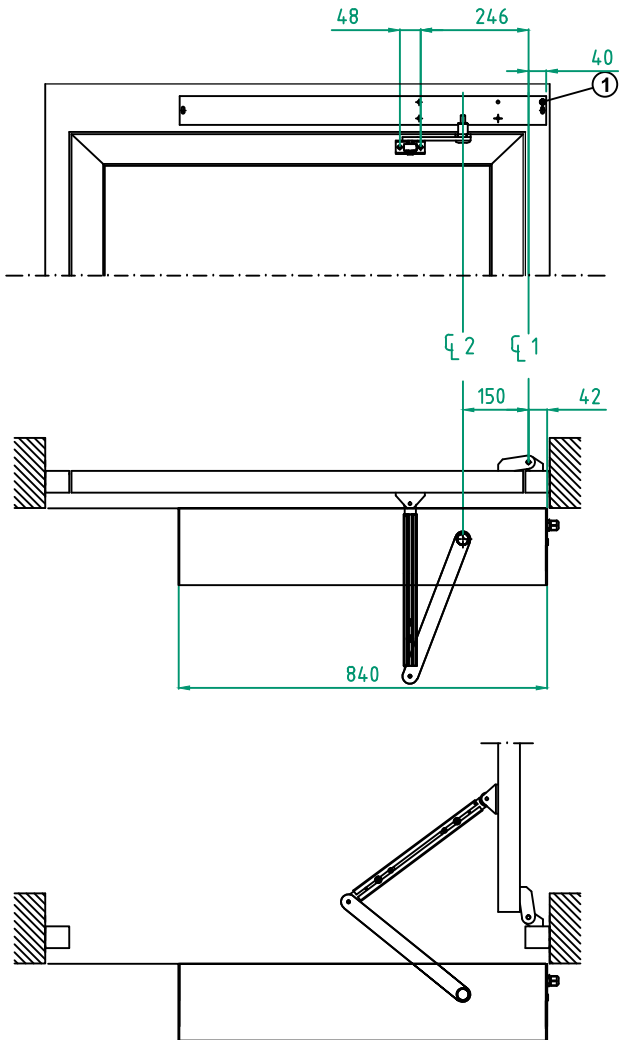
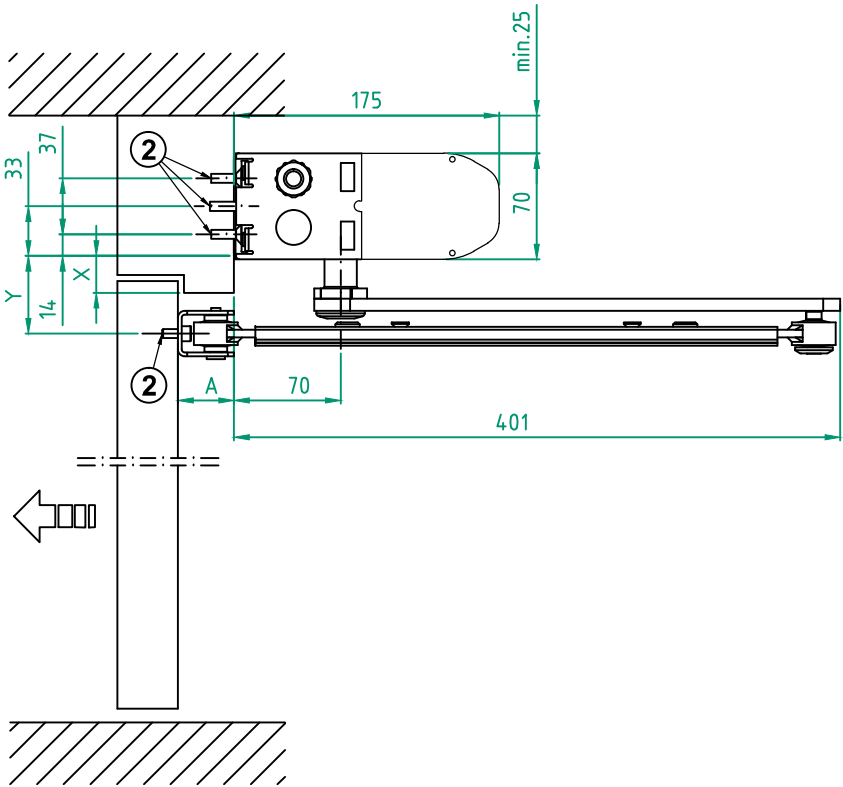
Swing door operator
EM PSW250-1

PULL, DIN Left

ENTRE/MATIC

7.0 1009168-EMEI

©All rights in and to this material are the sole property of Entrematic AB. Copying, scanning, alterations or modifications are expressly forbidden without the prior written consent of Entrematic AB. Rights reserved for changes without prior notice.



STATE WHEN ORDERING

- Surface treatment**
- Silver anodized
 - Special anodized
 - RAL
 - Special powder coating

- Cover end plates**
- BK
 - SI

- Basic
- Fire door
- Connection box
- Connection plug

- Options see layers**
- Cover Standard
 - Cover Modular, CL = mm

- ⌀ 1 = Hinges
- ⌀ 2 = Operator drive shaft
- A = Reveal 0mm to 22mm, optional max. 300mm
- 1 = Cable inlet
- 2 = Reinforcements required in door leaf and at fixing holes

X	Y	Shaft extension
2-25	51	0
25-45	71	20
45-75	101	50
75-95	121	70

Customer: _____

Door id: _____

Project No: _____

Ref: _____

Date: _____

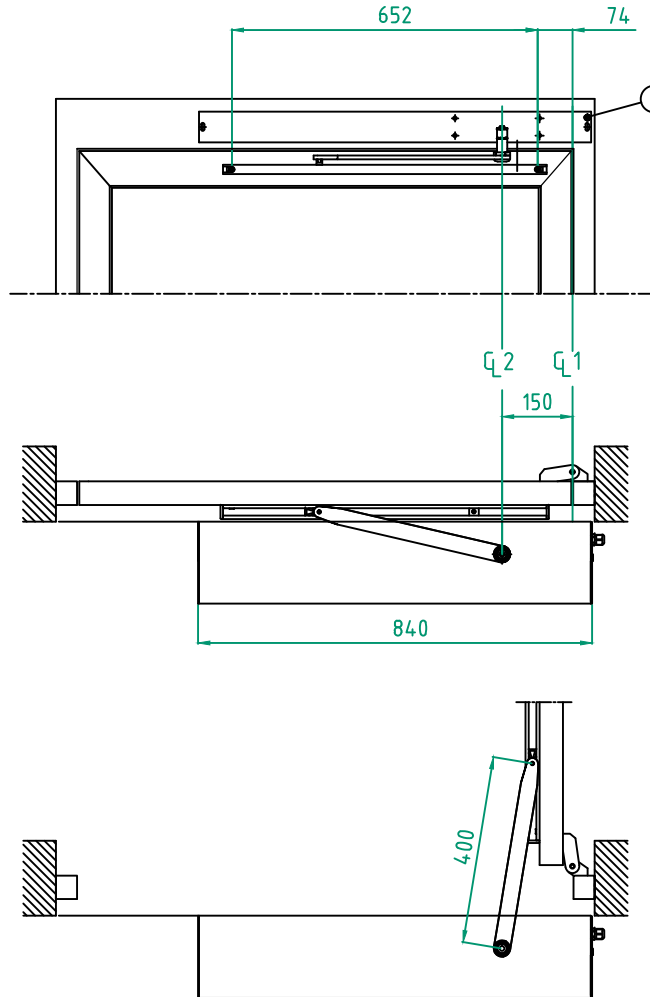
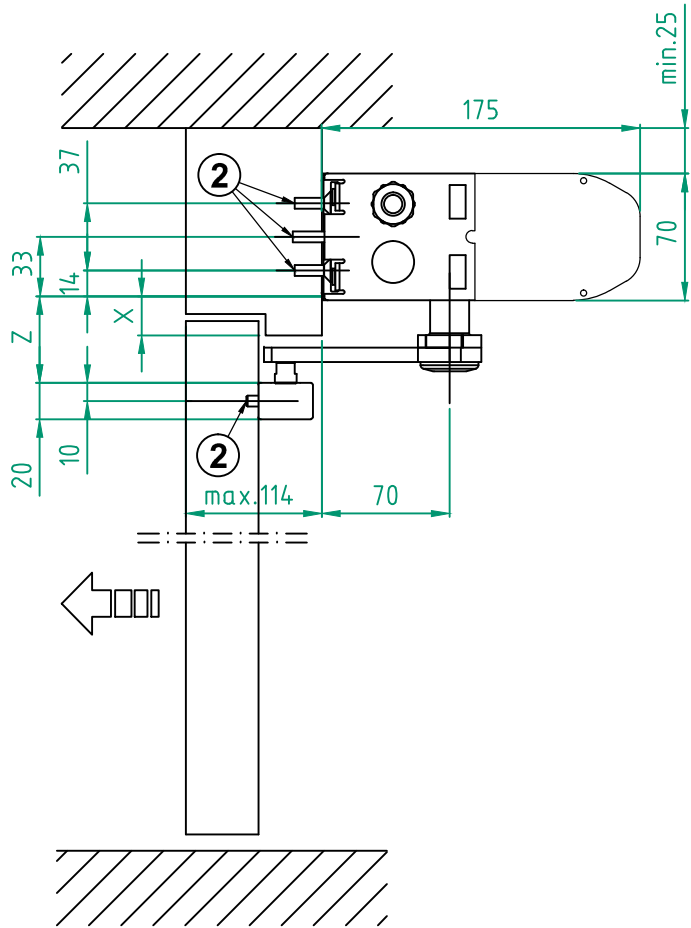
Sign: _____

Swing door operator
EM PSW250-1

PUSH, DIN Left

ENTRE/MATIC
7.0 1009168-EMEI

©All rights in and to this material are the sole property of Entrematic AB. Copying, scanning, alterations or modifications are expressly forbidden without the prior written consent of Entrematic AB. Rights reserved for changes without prior notice.



STATE WHEN ORDERING

Surface treatment

- Silver anodized
- Special anodized
- RAL
- Special powder coating

Cover end plates

- BK
- SI
- Basic
- Fire door
- Connection box
- Connection plug

Options see layers

- Cover Standard
- Cover Modular, CL = mm

- ☞ 1 = Hinges
- ☞ 2 = Operator drive shaft
- 1 = Cable inlet
- 2 = Reinforcements required in door leaf and at fixing holes

X	Z	Shaft extension
2-25	48	0
25-45	68	20
45-75	98	50
75-95	118	70

Customer: _____

Door id: _____

Project No: _____

Ref: _____

Date: _____

Sign: _____

Swing door operator
EM PSW250-1

Sliding PUSH, DIN Left

ENTRE/MATIC
 7.0 1009168-EMEI